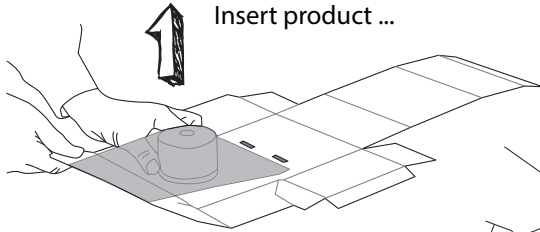


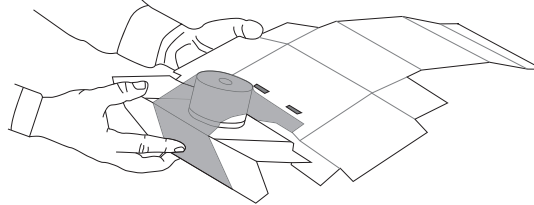
Assembly Instruction Emba-Quick®

fold again so that the retention
sits within the integrated outer
carton

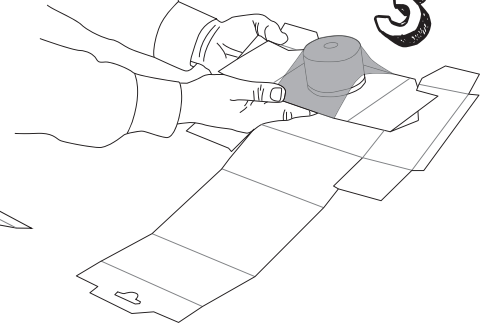
1 Insert product ...



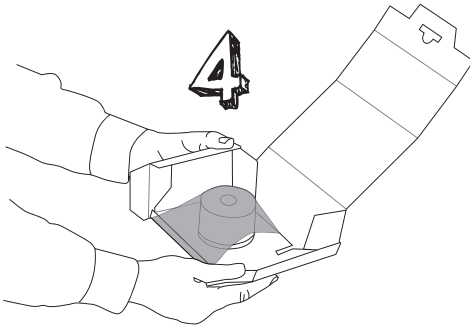
2 fold over the end flap
to tension the film
around the product



3



4



fold up sides ...

fold up the lid and wrap
around the product ...

5



6

secure the locking flap
to complete the pack.

